



CATALOGUE
BMW
R1200-1250 GS

hpcorse
MADE IN ITALY

hpcorse
MADE IN ITALY

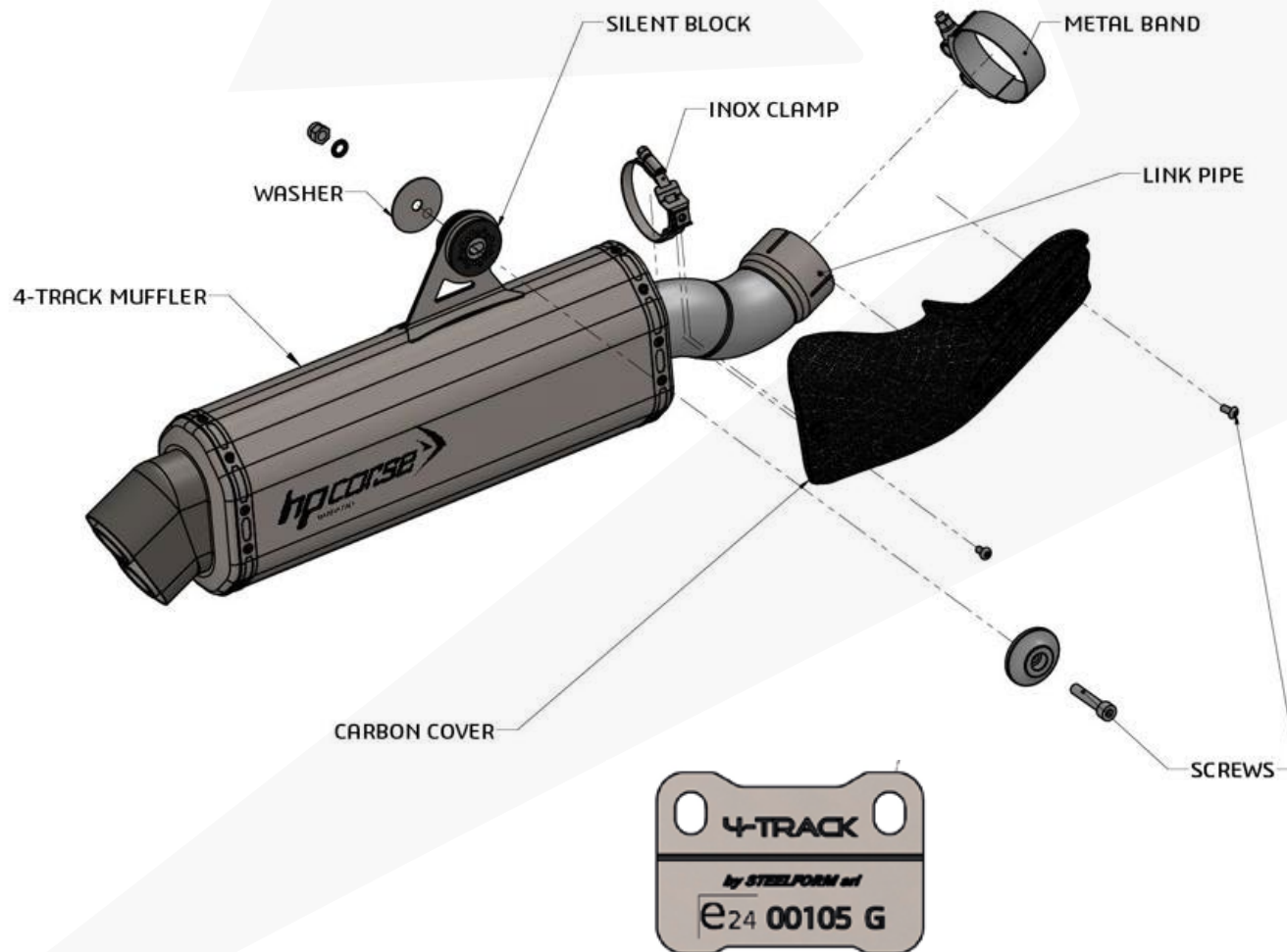


hp corse

CLASS AND ELEGANCE PURE AND ESSENTIAL LINES

Just like the BMW 1200 GS, the new 4-TRACK by HP CORSE loves the adventure fully embodying the desire of evasion and the purest motorcycling spirit. Tested at the bench and in the most demanding situations, 4-TRACK guarantees reliability and gives the BMW 1200 GS slimmer rear lines that improve driveability while the powerful twin-cylinder gains in particular in the low and mid-range.

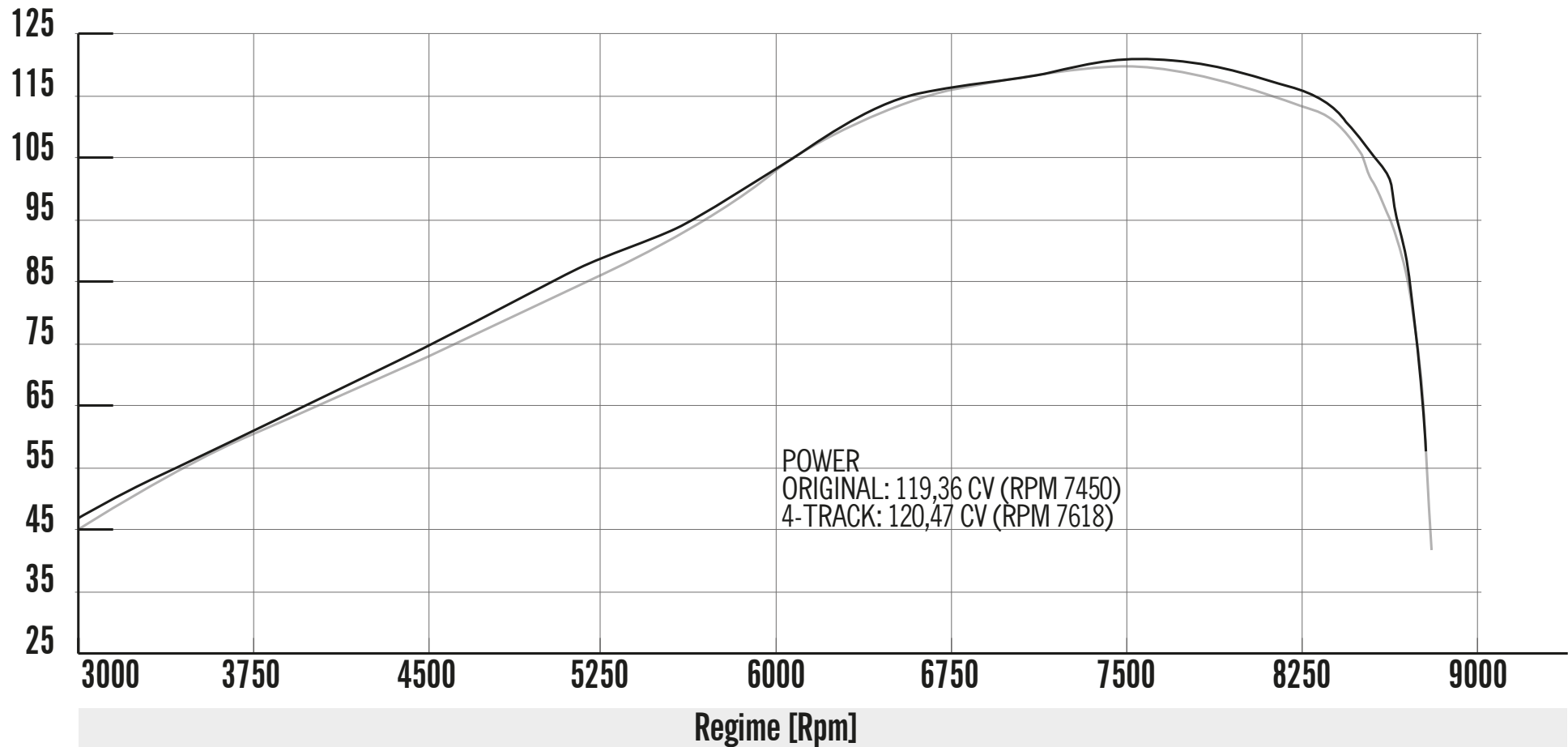
4-TRACK has the laser-engraved logo, a silencer body available in three different materials (Titanium, Satin Steel, Black Steel), which, whatever the choice, will always be lighter than the original "GS" exhausts. The back is octagonal shaped with a hydroformed spout without welds. Euro 4 approved, 4-TRACK has a length of 400 mm.





R1250GS R1200GS

POWER [CV]



WEIGHT - 20 % - 30%

Original BMW: 4,9 kg.
4-TRACK STAINLESS: 3,920 kg.
4-TRACK TITANIUM: 3,470 kg.



Power + 1%

Original BMW: 119,36 CV
4-TRACK: 120,47 CV



SOUND + 3%

Original: 91,5 dB at 3875 rpm
4-TRACK: 94,8 dB at 3875 rpm



hpcorse
MADE IN ITALY

hpcorse
MADE IN ITALY

4-TRACK CERAMIC BLACK

Silencer 4-TRACK CERAMICK BLACK
(with carbon-fiber cover) + link pipe slip-on for original collectors BMW GS.
Homologated in compliance of Directive and Rule of the European
Parliament (UE) nr. 134/2014 and 2016/1824 G

Code: **BMW4T1022C-AB** BMW R 1200 GS
Code: **BMW4T1025C-AB** BMW R 1250 GS



R1200 GS

R1250 GS



hpcorse
MADE IN ITALY

hpcorse
MADE IN ITALY

4-TRACK STAINLESS

Silencer 4-TRACK STAINLESS
(with carbon-fiber cover) + link pipe slip-on for original collectors BMW GS.
Homologated in compliance of Directive and Rule of the European
Parliament (UE) nr. 134/2014 and 2016/1824 G.

Code: **BMW4T1022S-AB** BMW R 1200 GS
Code: **BMW4T1025S-AB** BMW R 1250 GS



R1200 GS **R1250 GS**



hpcorse
TITANIUM
MADE IN ITALY

hpcorse
MADE IN ITALY

4-TRACK TITANIUM

Silencer 4-TRACK TITANIUM
(with carbon-fiber cover) +link pipe slip-on for original collectors BMW GS.
Homologated in compliance of Directive and Rule of the European
Parliament (UE) nr. 134/2014 and 2016/1824 G.

Code: **BMW4T1022T-AB** BMW R 1200 GS

Code: **BMW4T1025T-AB** BMW R 1250 GS



R1200 GS

R1250 GS



CATALOGUE
BMW
R1200-1250 GS

Steelform s.r.l.

C.F. P.I. 01698860309

Registered office

Via Max Piccini, 16-33061
RIVIGNANO-TEOR (UD)

Administrative headquarters and offices

Via Udine, 60-33061 RIVIGNANO-TEOR (UD)

HP CORSE s.r.l.

C.F. P.I. 02668231208

Administrative headquarters and offices

Via Romitino 11-2, 40055 Castenaso (BOLOGNA)

www.hpcorse.com

info@hpcorse.com

commerciale@hpcorse.com

Tel. +39 0432 822 200

Fax +39 0432 822 231

hpcorse
MADE IN ITALY

